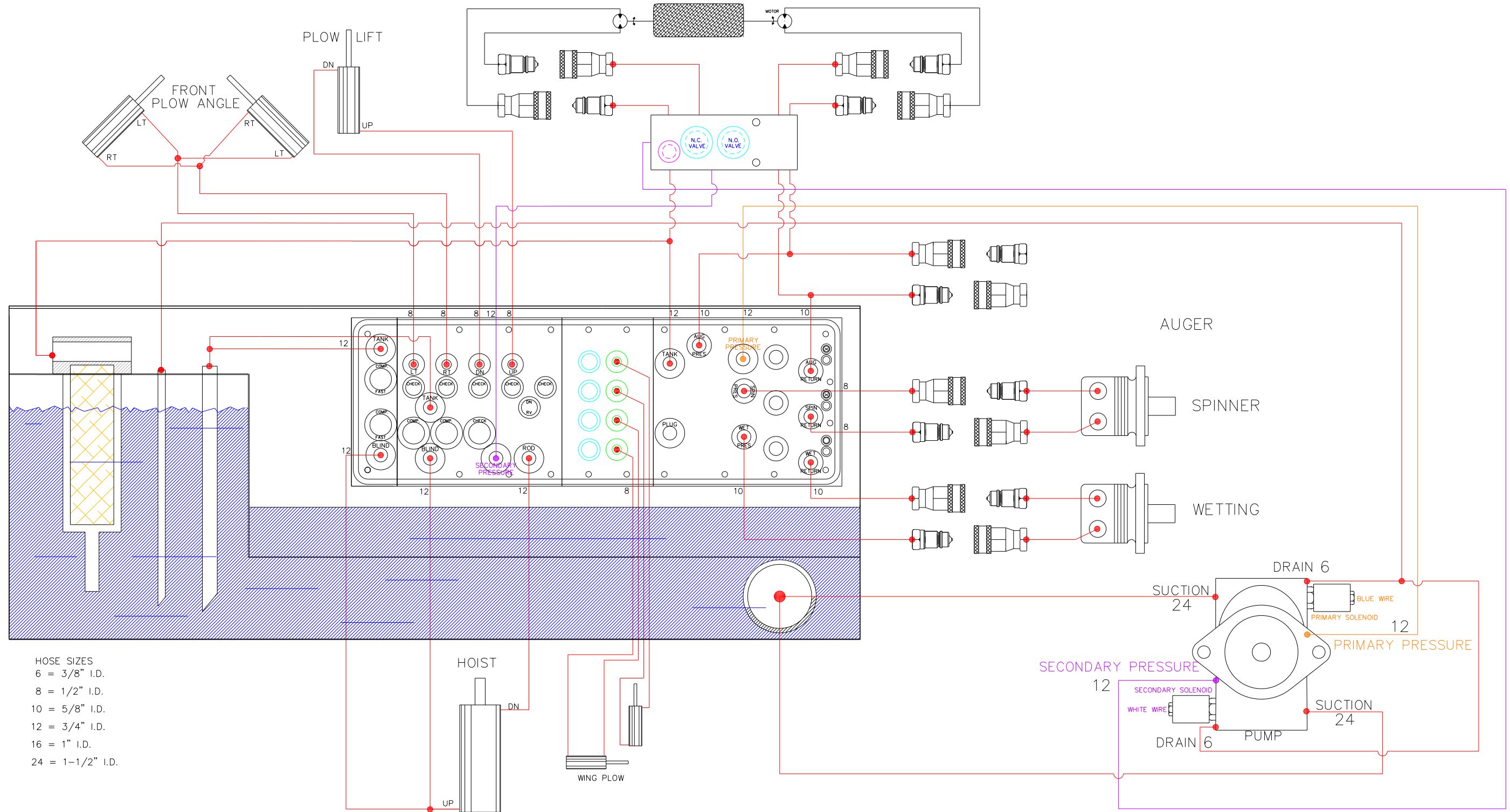
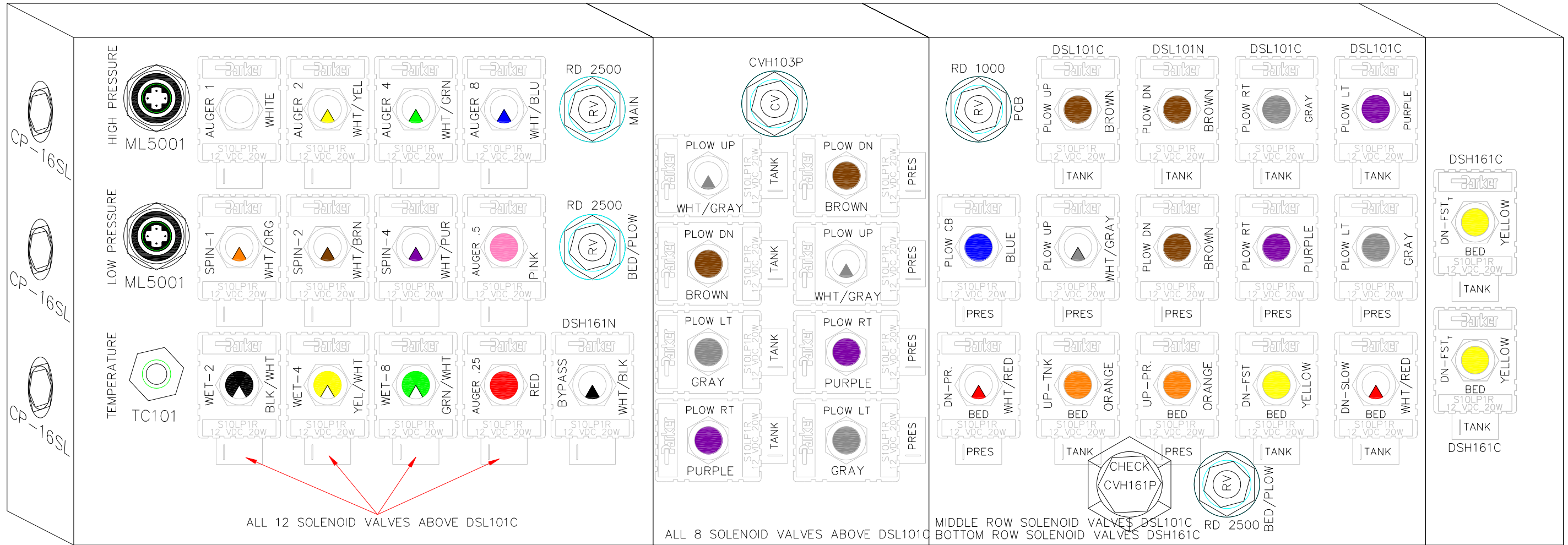


PLUMBING DIAGRAM FOR OPTIONAL PLOW



- HOSE SIZES
 6 = 3/8" I.D.
 8 = 1/2" I.D.
 10 = 5/8" I.D.
 12 = 3/4" I.D.
 16 = 1" I.D.
 24 = 1-1/2" I.D.

WIRING DIAGRAM FOR OPTIONAL PLOW



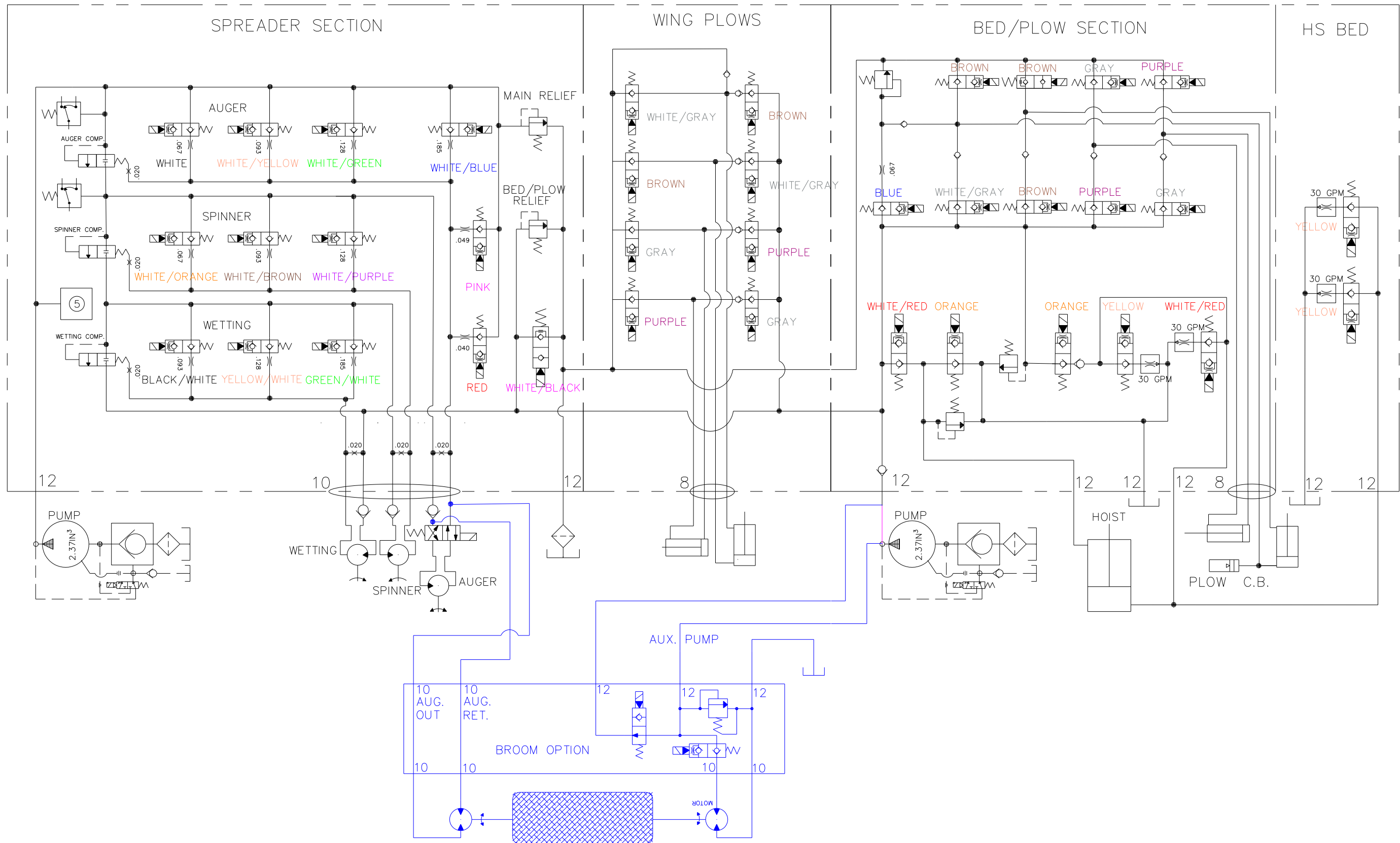
SPREADER SECTION

WING SECTION

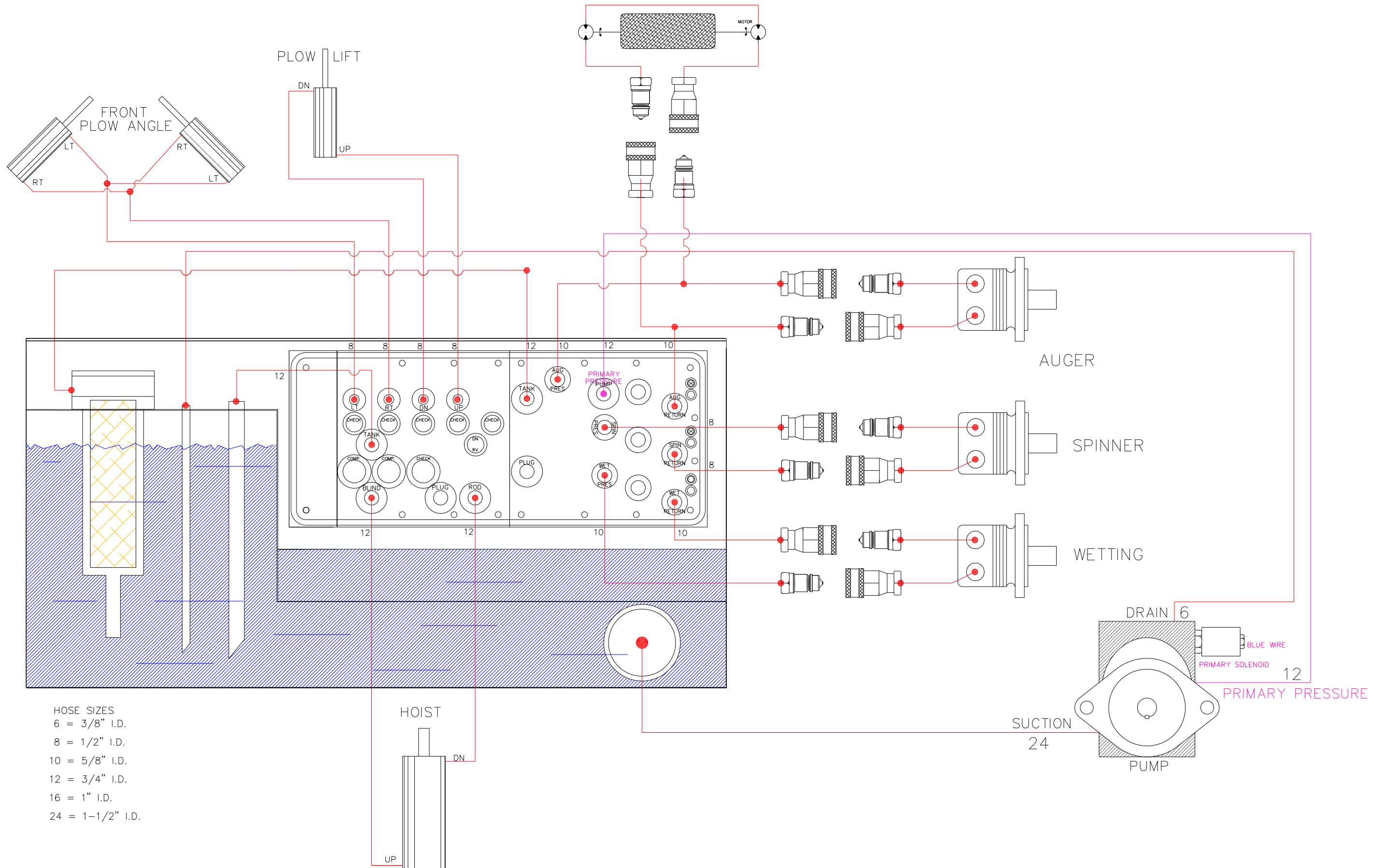
CYLINDER SECTION

HIGH FLOW BED SECTION

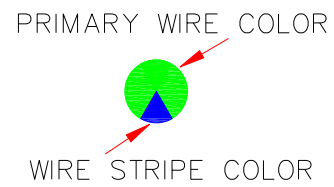
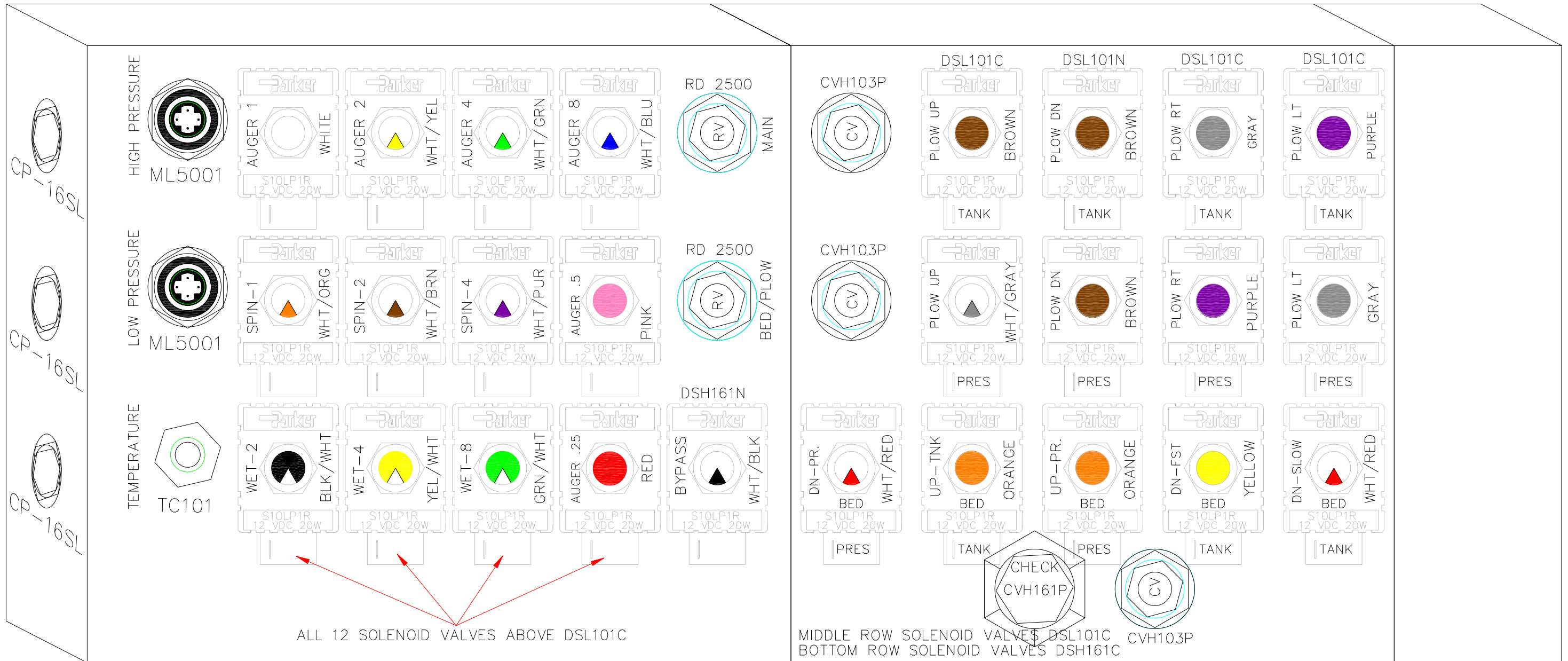
CIRCUIT DIAGRAM FOR OPTIONAL PLOW



PLUMBING DIAGRAM FOR FRONT FLOW



WIRING DIAGRAM FOR FRONT FLOW



SPREADER SECTION

CYLINDER SECTION

CIRCUIT DIAGRAM FOR FRONT PLOW

