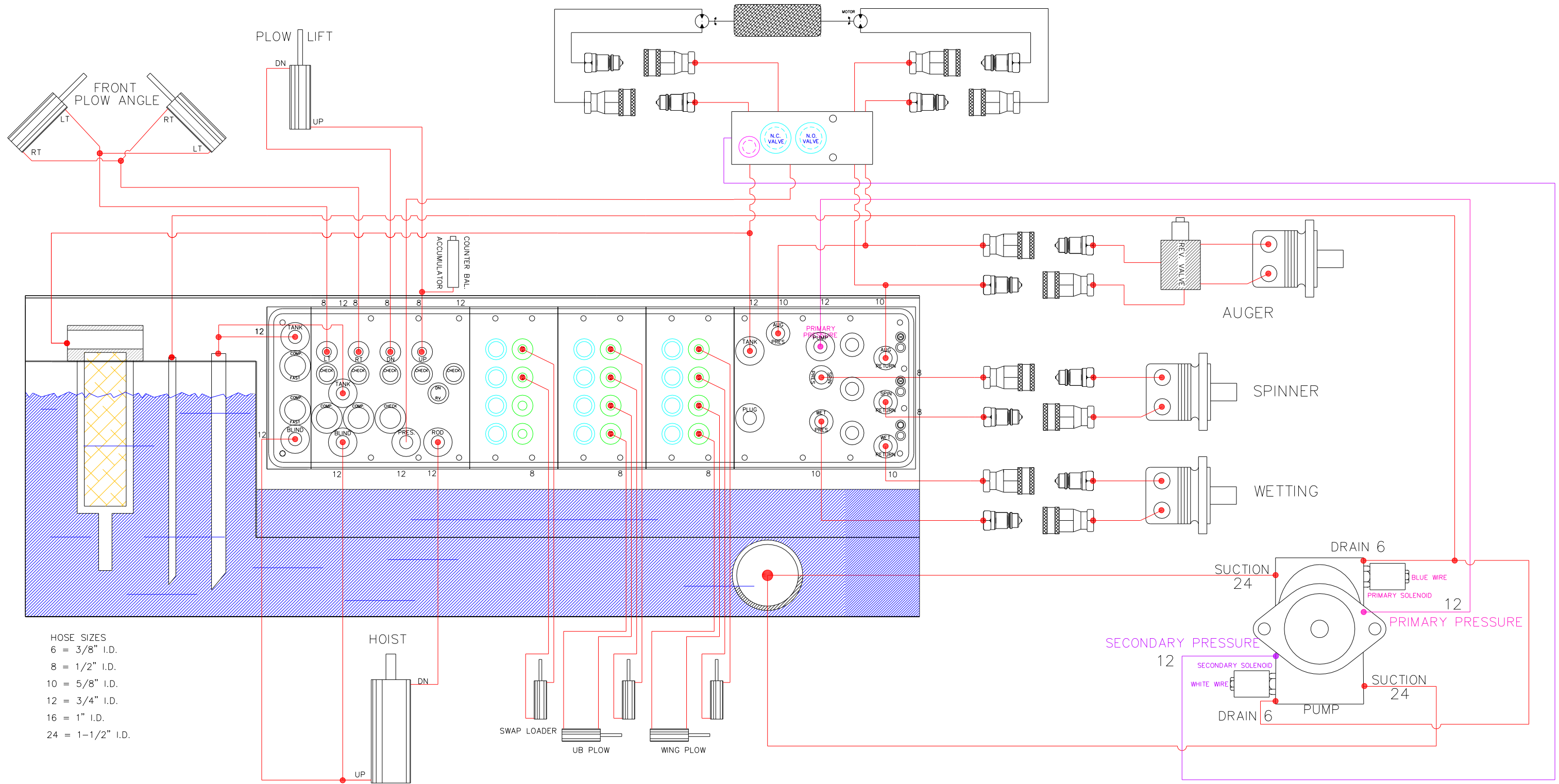
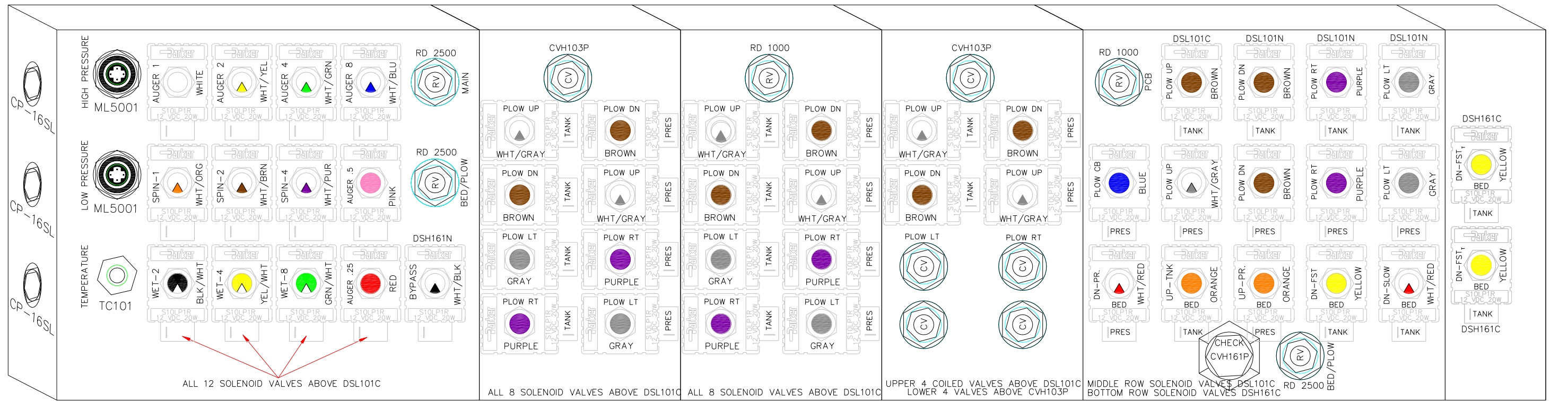
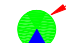



ODOT PLUMBING DIAGRAM FOR OPTIONAL PLOW



ODOT WIRING DIAGRAM FOR OPTIONAL PLOW



PRIMARY WIRE COLOR

 WIRE STRIPE COLOR


SPREADER SECTION

WING SECTION

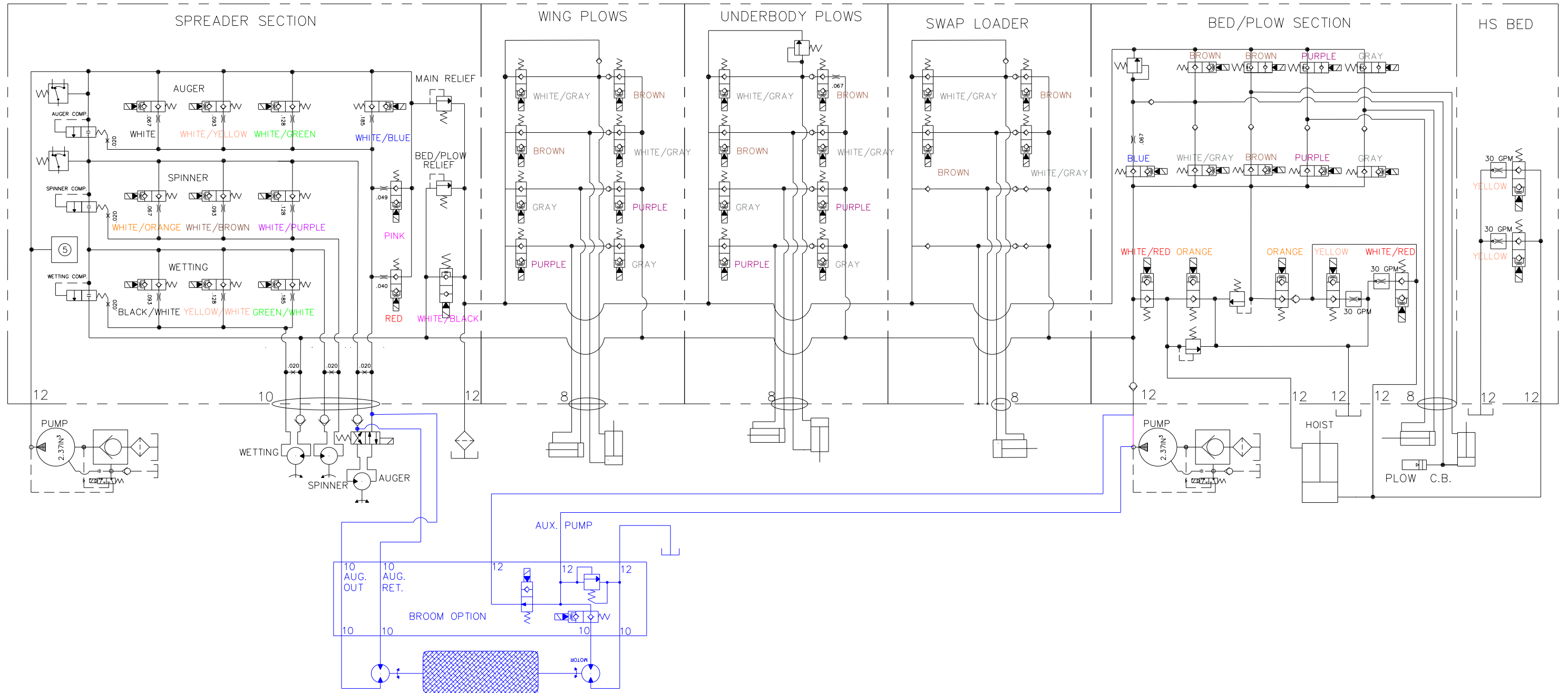
UNDERBODY PLOW SECTION

SWAP LOADER SECTION

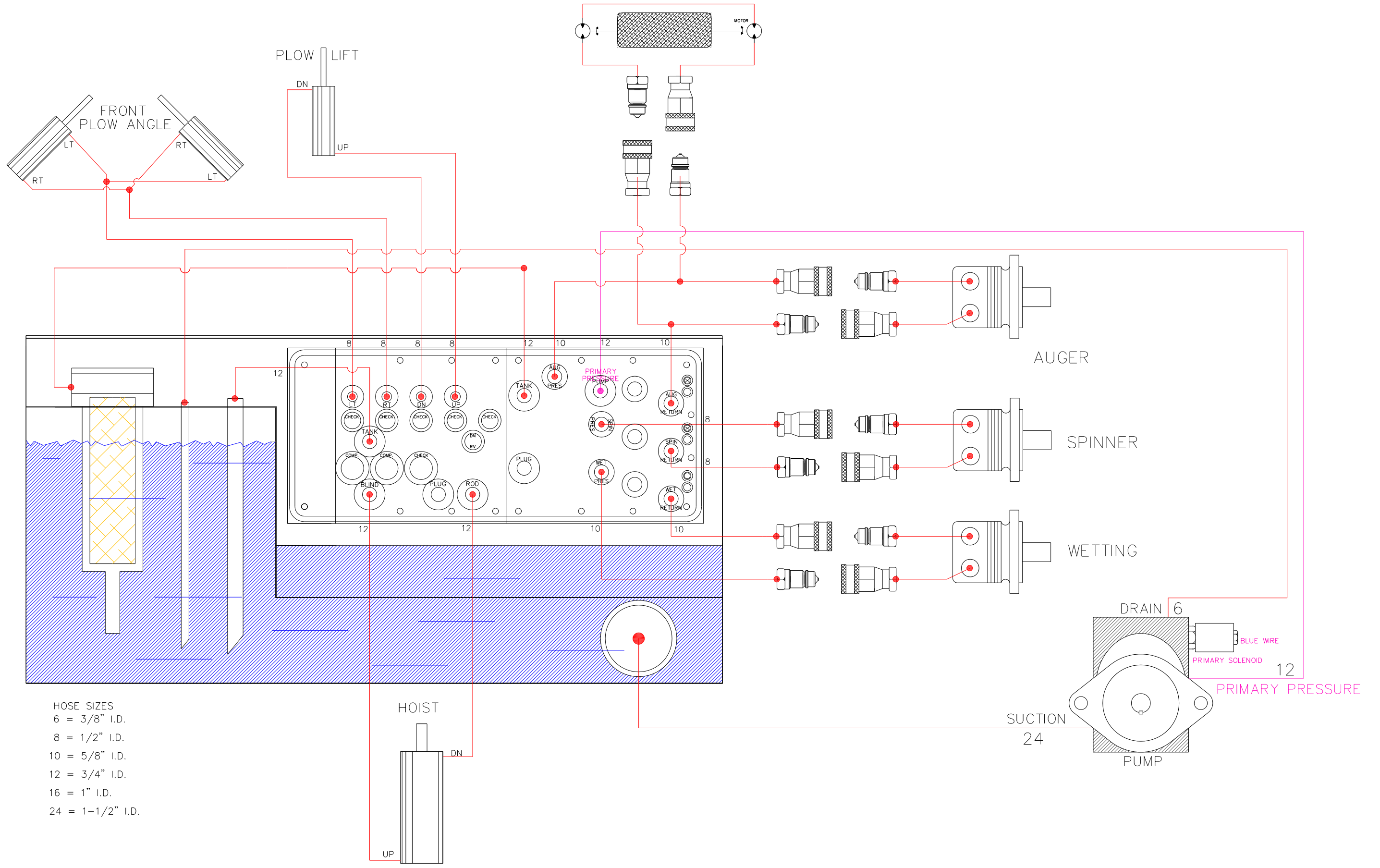
CYLINDER SECTION

HIGH FLOW BED SECTION

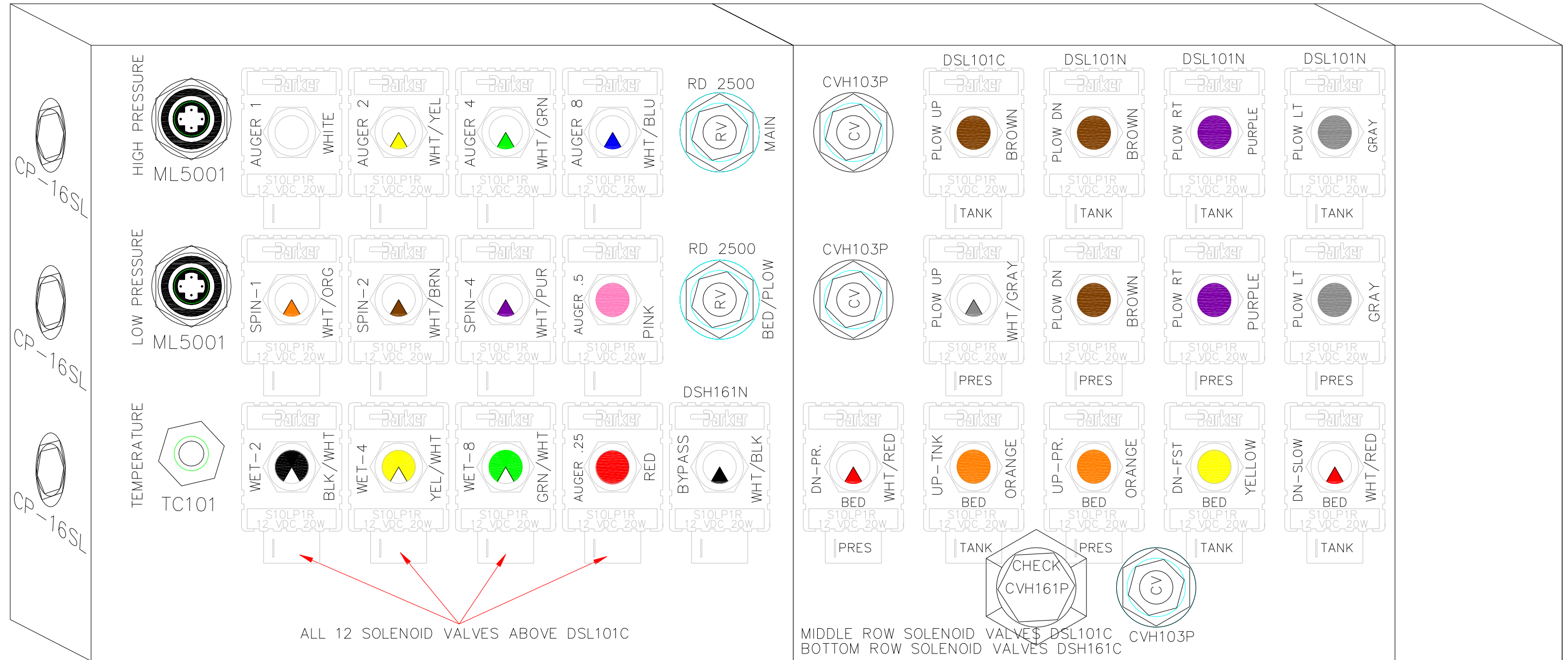
ODOT CIRCUIT DIAGRAM FOR OPTIONAL PLOW



ODOT PLUMBING DIAGRAM FOR FRONT FLOW

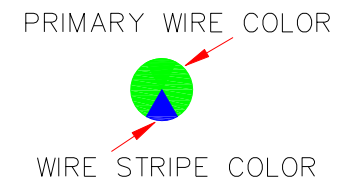


ODOT WIRING DIAGRAM FOR FRONT PLOW



SPREADER SECTION

CYLINDER SECTION



ODOT CIRCUIT DIAGRAM FOR FRONT PLOW

